

SUNSHINE 0441.0 • 3/4" - 1"

SUNSHINE 0441.1 • 1/2" - 3/4"

THERMOSTATIC DIVERTING VALVE "SUNSHINE"

CONNECTIONS: MALE
DISMANTLING FITTINGS MALE

0441.0



0441.1

HYDRAULIC FEATURES

The thermostatic diverting valve "Sunshine" is installed in solar storage boilers for hot sanitary water, in order to divert the water to the thermostatic mixing valve or to the traditional heating source, according to the temperature. The valve diverts the water to one way, if the temperature is higher than the set temperature on the device and diverts it to the other way as soon as the temperature of the liquid drops below the set value. During summer time, in periods of heavy sun radiance, the valve diverts the hot water coming from the solar storage directly to the mixing valve and thus to the end user. As soon as the water temperature drops below the set temperature, the flow is diverted to the traditional boiler where the water is heated before sending it to the mixing valve and thus to the end user. Thanks to the thermo-sensitive element, the valve is resistant to the high temperatures which can be generated in the solar storage and being in close contact with the fluid, it guarantees a quick intervention time.

TECHNICAL FEATURES

Pressures:

maximum static working pressure	10 bar
maximum dynamic working pressure	5 bar
minimum flow rate for a correct functioning	9 l/min

Temperature:

maximum inlet temperature	100°C
diverting temperature	48°C
accuracy	± 2°C

Hydraulic Features:

flow coefficient Kv (m ³ /h)	1,4 ÷ 1,5
---	-----------

Compatible fluids:

water

Threading:

Pipeline connection	Threads according to ISO 228/1
---------------------	--------------------------------

DESIGN

Body in brass UNI EN 12165 - CW602N (CR brass)
 Chromeplated with ELECTRODEPOSITED COATING EN 12540 (Cu/Ni12sCrr)
 Cap PBT
 Internal parts UNI EN 12164 CW 617 N - UDEL GF-120 NT
 Calibration spring stainless steel AISI 302
 Sealing gaskets EPDM Perox
 Thermo-sensitive element wax

PRODUCT CODES

0441.020 male 3/4"
 0441.025 male 1"

0441.115 dism. fittings male 1/2"
 0441.120 dism. fittings male 3/4"



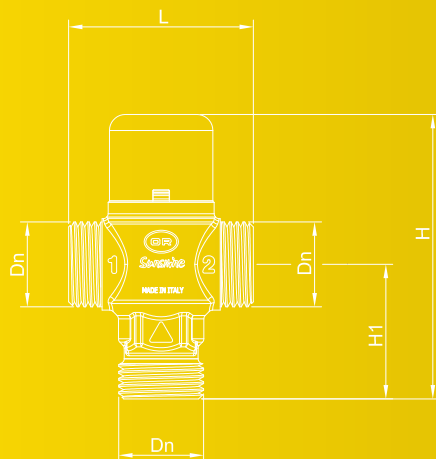
OFFICINE RIGAMONTI S.p.A.
 via Circonvallazione, 9
 13018 Valduggia (VC), ITALY
 TEL +39 0163.48165
 FAX +39 0163.47254
 www.officinerigamonti.it
 export@officinerigamonti.it

SUNSHINE 0441.0 • 3/4" - 1"

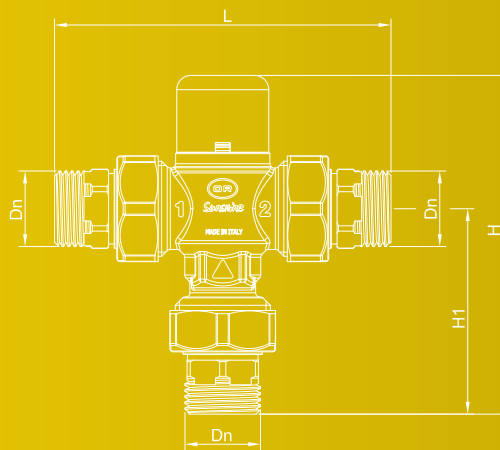
SUNSHINE 0441.1 • 1/2" - 3/4"

THERMOSTATIC DIVERTING VALVE "SUNSHINE"

CONNECTIONS: MALE
DISMANTLING FITTINGS MALE



0441.0



0441.1

FEATURES

	Dn	L	H	H1
0441.0	3/4"	58	89	42
	1"	59	89	43
0441.1	1/2"	108	114	68
	3/4"	118	119	72

HEAD LOSS DIAGRAM

