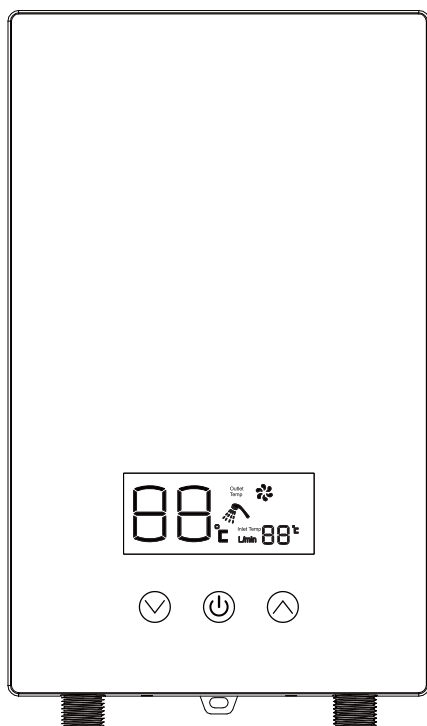


# Electric Instant Water Heater

Installation and Instruction Manual



**Model:** BS-THERM.R17  
BS-THERM.R18

Please read this manual carefully before use

---

## **I.Special warnings**

- 1.Before installing and using the water heater,please read the manual carefully;after reading it,please keep it in a safe place for reference.
  - 2.The product is subject to change without notice,we apologise.
  - 3.The diagram in the instruction manual is for reference only,please refer to the actual product.
- you for your choice and trust,and we will continue to provide you with quality products and services.

Please read the safety precautions carefully and follow the warning signs and instructions on the product.

## **Installation conditions**

- 1.The capacity of the meter and the cross-sectional area of the wires must match the rated current of the water heater.
- 2.The water heater must be reliably earthed,otherwise there is a safety hazard.
- 3.A circuit breaker with earth leakage protection must be installed,otherwise it may cause a fire or other accident.

## **Safe location**

- 1.The support surface of the installation must be sturdy and free from constant strong vibrations.
- 2.The water heater must be installed in an area with a floor drain.
- 3.Do not install the water heater outdoors,in direct sunlight,near flammable and explosive materials or in an environment prone to icing.

**Warning:The circuit breaker must be installed in a dry place out of the reach of water spray to avoid accidents such as short circuits.**

## **Power supply**

- 1.The product will only work with the type of voltage indicated on the label.If you are unsure of the type of voltage you are using,please consult your local electricity authority.
- 2.Do not damage,replace,modify,pull or twist the power cable.
- 3.Do not place any objects on the power cord.

## **Product maintenance**

- 1.Do not disassemble or service the water heater yourself,improper disassembly may result in electric shock or damage to the product.
- 2.Before maintaining the product,the power supply must be disconnected.
- 3.If the power cord is damaged,it must be replaced by the manufacturer or other service department or similarly qualified person to avoid danger.

## **Use of the product**

- 1.In very cold temperatures,prevent the water in the appliance from freezing.
- 2.The hot water in the water heater must not be consumed directly.
- 3.When the water temperature is too high,it can cause burns.Use with care.

**Warning:If the water heater stops working due to any of the above faults,please disconnect it from the power supply immediately and contact a professional after-sales service person;do not carry out repairs yourself as incorrect repairs may endanger your personal safety or lead to property damage.**

## II.Product features

- ◆ Immediate heating, hot water without waiting.
- ◆ Stepless temperature adjustment: micro adjustment, precise control, the temperature "degree" as you wish.
- ◆ Multiple protection functions such as over-temperature protection, leakage protection and physical isolation wall.
- ◆ Microcomputer intelligent system, automatically check and control the working status of the water heater, LED digital display, clear working status. The latest generation of cast aluminium heating technology. Innovative technology: full thermostat, leading you into the era of fully automatic enjoyment.
- ◆ Ultra-thin, cool and stylish, extraordinary.

## Safety features

- ◆ Deep anti-leakages system

First protection: circuit breaker.

Second protection: earth protection.

Third protection: electronic leakage protection.

Fourth protection: physical isolation wall (anti-electric wall).

Leakage protection, physical isolation walls, earth protection and air switches make up the depth of the water heater's leakage protection system. They are interdependent and alternate in a vertical network, forming a line of defence in the deep anti-leakage system, which is a strong shield for your safety in using electricity.

- ◆ Automatic detection system

The automatic detection system includes a fault self-test for the water outlet temperature sensor, a fault self-test for the water inlet temperature sensor, a leakage self-test and an over-zero self-test, which will stop the water heater immediately when a fault occurs and display the corresponding fault code on the LED screen for indication. Please refer to the "Common faults" section for the content of the fault code display and fault handling.

- ◆ Over-temperature protection-self-test system

The water heater uses a double over-temperature protection device to monitor the water temperature vertically. When the water temperature is detected to exceed the thermal safety value, the water heater will stop working immediately.

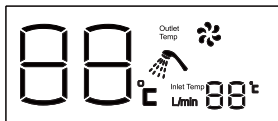
- ◆ Dry heating protection

The water heater adopts a double pole disconnect thermostat, when the water heater malfunction causes the temperature to exceed the limit temperature, the high temperature limit switch immediately disconnects, cutting off the power supply and the water heater stops heating.

### III. Technical Parameters

Power (W)	Rated Voltage Frequency	Recommended Wire Size	Min. Required Circuit Breaker Size	Rated Pressure
7000	230V~ 50Hz	4mm <sup>2</sup>	≥ 40AMP	0.06MPa
8000		6mm <sup>2</sup>		

### IV. Controls



1.1 Big "88": Displays water temperature and fault code.

1.2 "°C": Temperature unit.

1.3 Small "88": Displays water inlet temp/Flow rate.

1.4 "🚿" Water heater shower working status.

1.5 "Outlet Temp": Water heater heating.

1.6 "🔌" Power On/Off.

1.7 "⬆️" Increase/Up.

1.8 "⬇️" Decrease/Down.

2. First power-on status: All characters light up for 2 seconds and then go out. The digital tube displays "---" to indicate the standby state.

### V. Installation instructions

#### Unpacking

◆ After unpacking the box, please check immediately if the packing pieces are complete, see the packing list for a detailed list.

◆ If any of the items in the packing list are damaged or missing, please inform the seller immediately.

**Warm tip: After taking out the product, please save the carton and bubble bag for future handling.**

#### Installation method

Please note: The water heater must be installed by our own or appointed installers. The accessories supplied with the product must be used for installation and must not be replaced or substituted. The company will not be held responsible for any direct or indirect damage caused by non-compliance with the above.

#### Before installation, please make sure that

1. the load-bearing wall on which the water heater is hung should be able to support twice the weight of a water heater filled with water.
2. The electric water heater should be installed indoors in a place where the ambient temperature is above 0°C and the pipework should be centrally located. The water heater outlet should not be too far from the point of use of hot water, if more than 3 metres, the hot water pipeline should be insulated to reduce the loss of heat.
3. The water heater should be installed in a location that is easy to use, maintain and has a floor drain. In the event of a leak, no damage will be caused to nearby or lower level facilities.
4. Ensure that the mains water pressure is not less than 0.05MPa.

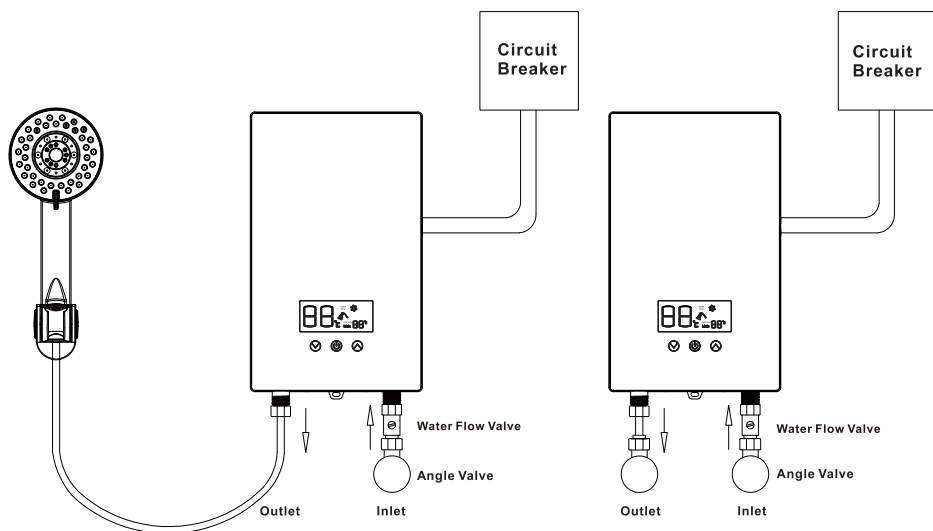
5. A circuit breaker with earth leakage protection must be installed.
6. Ensure that the earth resistance of the building ground is less than  $4\Omega$ .
7. Check that the mounting plate on the back of the water heater is secure and not loose.
8. The circuit breaker of the water heater must be installed in a dry place where water cannot be sprayed to avoid accidents such as short circuit.
9. Do not reverse the inlet and outlet pipes.

## Installation steps

1. Determine the installation location of the water heater. Use a pen to mark the positions of the two mounting holes and one fixing screw of the water heater in order. Use an impact drill (with a drill bit of 6mm) to drill three 25mm deep holes at the marked screw holes on the wall, then completely drive the rubber particles into the holes, and use a screwdriver to drive two self tapping screws into the installation holes.
2. Fixed water heater. Determine the location of the water heater body on the wall and ensure that the water heater is securely installed. Then, use a screwdriver to screw one screw into the fixing screw hole to secure the water heater.
3. Connect the power cable.
4. Directly connect the Live wire (Brown), Neutral wire (Blue), earth wire (Yellow-Green) of the power cord to the Live wire, Neutral wire and earth wire terminals of the circuit breaker respectively.

### NOTE: must be connected to the circuit breaker.

5. According to the installation position, determine the length of the bellows, use the bellows to connect the water inlet of the water heater to the water inlet valve, and connect the water outlet to the hose. If there is multiple water supply, connect the water outlet of the water heater to the Angle valve of the multiple water supply with another bellows.
6. For accessories such as shower hoses, shower brackets, shower heads, water flow valves, etc., refer to the installation diagram for connection.
7. Tightness check: First open the water valve of the water heater, and then open the water inlet valve, until the water outlet has uniform water flow out, then close the water valve, check whether the water is leaking. If there is water leakage, it is necessary to repair the leaking joint and check it again.



## VI.Method of use

Before connecting to the power supply, users are advised that

- ◆Please keep good usage habits: when turning on the water, first turn on the water and then turn on the electricity; when turning off the water, first turn off the electricity and then turn off the water.
- ◆Ensure that the water heater is reliably grounded. The grounding protection of the water heater is achieved by connecting it to the grounding wire of the building, so make sure that the power cord and the grounding wire are firmly connected; and that they are connected in a place where water cannot be sprayed.
- ◆Hot water can cause burns, so for the safety of you and your family, especially the elderly and children, please use it with care.
- ◆The hot water in the water heater should not be used directly for drinking.

### 1、 Turn on the power

The LED screen is fully lit for 2 seconds and then extinguished, the buzzer beeps once, prompting the user has been connected to the power supply, after the water heater into standby mode.

### 2、 Power on

Press "⊕" to power on. When the water flow reaches the start-up requirements, the water heater begins to heat up and the screen lights up. When the water flow rate is too low or no water, the water heater does not heat, and the digital screen is lit for 30 seconds and then extinguished.

Press "⬆" or "⬇" to adjust the set temperature.

When you press "⬆" or "⬇" to adjust the set temperature, the temperature will display and blink. The temperature can be set at this time; Temperature increases or decreases by one degree (30-55 ° C).

**Note: The first time a new appliance is switched on, the water valve must be opened and water must flow evenly from the outlet valve before the switch-on command can be executed.**

### 3. Bathing

The water heater uses fully automatic thermostat technology. When the water temperature is set, the system automatically adjusts to achieve a constant temperature within a few seconds. After the bath is complete you can. Choose to switch off the water or press "⊖" to switch off the water heater, then the water heater goes into standby mode.

## VII. Notes on use

1. When you stop using the water heater, please turn off the water inlet switch; long-term non-use of the water heater, the power supply should be cut off, so as to protect the water heater and extend its service life.
2. Regularly clean the shower, filter and pressure relief port to avoid blockage.
3. Do not spray water onto the circuit breaker or water heater when in use to avoid moisture on the electrical parts, the circuit breaker or electrical connection should be installed in a place that is not exposed to water and out of reach of children.
4. Do not use acidic or alkaline cleaning solution to scrub the shell of the electric water heater, scrubbing should choose a neutral detergent, after wiping to gently dry with a wet rag, clean to close the incoming power supply.

- 5.If you suspect that the water in the water heater may freeze,it is prohibited to connect the water heater to the power supply.
- 6.Repair must be carried out by our maintenance staff or by our designated repair point.
- 7.If the power cord is damaged and must be replaced,the Company or the Company's designated maintenance personnel must be responsible.
- 8.A disconnecting device must be installed inthefixed line when connecting the external conductor,which ensures safety by opening all contacts at least 3mm apart when the power is off.
- 9.In order to avoid the danger of the thermal circuit breaker being reset by mistake,the appliance must not be powered by an external switching device,such as a timer or a circuit that is disconnected when connected to a common component.
- 10.To improve the comfort of use,use the accessories supplied with the appliance.

### VIII.Repair and maintenance

Affirm:The water heater should only be serviced and maintained by qualified service personnel of the Company.Incorrect methods may cause serious injury or property damage. Before servicing the product,please refer to common faults and troubleshoot obvious problems.

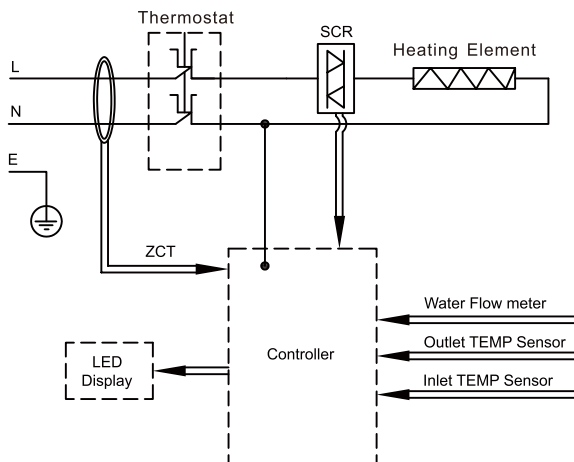
Warning:Always disconnect the water heater from the power supply before opening or servicing the water heater.

Clean the outside of the water heater regularly using a slightly damp soft cloth dampened with an appropriate amount of neutral detergent to wipe the surface,do not use flammable or chemical solvents,then dry with a dry soft cloth to keep the water heater dry.

If you encounter the following situations,please disconnect the power immediately and call the service hotline for help.

- a.The power cord is damaged
- b.The product has been dropped or the casing has been damaged
- c.The product does not work properly
- d.The performance of the product has changed significantly

### IX.Electrical schematics



## X.Common faults

Fault phenomenon	Fault cause	Treatment
No heating	No power on	power on
	Water flow is too small, did not start	Increase the amount of water
	Leakage protector is in the closed state	Adjust the leakage protector to the open state
	Microcomputer dead	Disconnect the circuit breaker and re-close the gate
	Bad heating tube	Contact after-sales service
	Bipolar disconnect thermostat not reset	Contact after-sales service
Water is not hot enough	Set temperature is too low	Adjust the set temperature up
	The water flow is too large	Adjust the small water flow
Water is too hot	Set temperature is too high	Adjust the set temperature down
The water output is small	The water inlet filter is blocked	Clean
	Clogged shower head	Clean
	Low local water pressure	Increase water pressure
Tripping	Circuit breaker insufficient capacity or poor quality	Change circuit breaker
	Leakage	Contact after-sales service
Display"L0"	Leakage	Contact after-sales service
Display"E1"	Faulty outlet temperature sensor	Contact after-sales service
Display"HE"	Over temperature	Turn up the cold-water inlet and let the cold-water pass through the machine for 2 -3 minutes

## **XI.Product packing list**

Number	Product Name	Unit	Quantity
1	The water heater	pc	1
2	Mounting brackets and screws	set	1
3	Instruction manual	pc	1
4	Shower Set	pc	1
5	Water Flow Valve	pc	1

## **XII.After-sales service**

-This product is guaranteed for one year(subject to the date of purchase)and is free of charge for repair during the warranty period,upon presentation of the proof of purchase to the authorized maintenance department.

-The decoration of this product is subject to change without notice.

-The product is not warranted but may be repaired for a fee in any of the following cases.

- a) if the damage is caused by improper use,maintenance or storage;
- b) if the product is not repaired or disassembled by our designated service department
- c) without proof of purchase or a valid purchase invoice.
- d) if the product does not conform to the proof of purchase or is altered
- e) damage caused by force majeure.
- f) where the warranty period has expired.

-The domestic water heater must not be used for on-domestic purposes, otherwise the warranty period for the whole unit and major accessories is six months,unless otherwise specified in the purchase and sale contract.

-The service life of the water heater is subject to the relevant national regulations and will not be warranted beyond its service life.

# Product warranty

## Warranty Card

Name		Telephone	
E-mail			
Product Model		Purchase Date	Installation Date
Serial NO.		Installation Location	
Charge or not	<input type="checkbox"/> Yes <input type="checkbox"/> No   Reason:		
220V or not		Water leaking or not	Exposed to freezing temp or not
Instllation Personnal (signature)		Customer (signature)	
Maintenance Date		Maintenance Personnel (signature)	
Situation			
Replacement Of Parts			