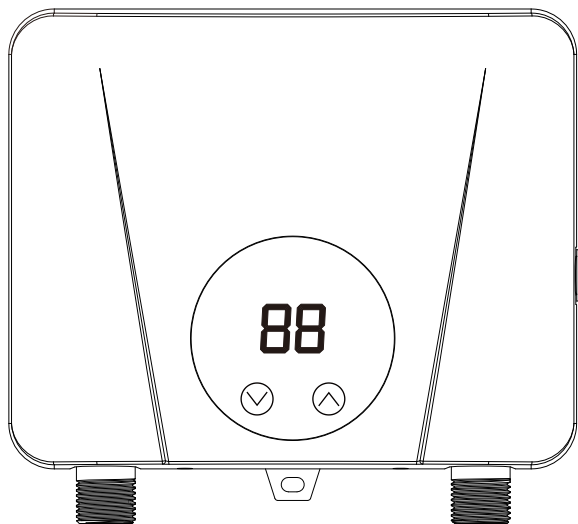


Electric Instant Water Heater

Installation and Instruction Manual



Model: BS-THERM.M0-2

Please read this manual carefully before use

I.Special warnings

- 1.Before installing and using the water heater,please read the manual carefully;after reading it,please keep it in a safe place for reference.
 - 2.The product is subject to change without notice,we apologise.
 - 3.The diagram in the instruction manual is for reference only,please refer to the actual product.
- you for your choice and trust,and we will continue to provide you with quality products and services.

Please read the safety precautions carefully and follow the warning signs and instructions on the product.

Installation conditions

- 1.The capacity of the meter and the cross-sectional area of the wires must match the rated current of the water heater.
- 2.The water heater must be reliably earthed,otherwise there is a safety hazard.
- 3.A circuit breaker with earth leakage protection must be installed,otherwise it may cause a fire or other accident.

Safe location

- 1.The support surface of the installation must be sturdy and free from constant strong vibrations.
- 2.The water heater must be installed in an area with a floor drain.
- 3.Do not install the water heater outdoors,in direct sunlight,near flammable and explosive materials or in an environment prone to icing.

Warning:The circuit breaker must be installed in a dry place out of the reach of water spray to avoid accidents such as short circuits.

Power supply

- 1.The product will only work with the type of voltage indicated on the label.If you are unsure of the type of voltage you are using,please consult your local electricity authority.
- 2.Do not damage,replace,modify,pull or twist the power cable.
- 3.Do not place any objects on the power cord.

Product maintenance

- 1.Do not disassemble or service the water heater yourself,improper disassembly may result in electric shock or damage to the product.
- 2.Before maintaining the product,the power supply must be disconnected.
- 3.If the power cord is damaged,it must be replaced by the manufacturer or other service department or similarly qualified person to avoid danger.

Use of the product

- 1.In very cold temperatures,prevent the water in the appliance from freezing.
- 2.The hot water in the water heater must not be consumed directly.
- 3.When the water temperature is too high,it can cause burns.Use with care.

Warning:If the water heater stops working due to any of the above faults,please disconnect it from the power supply immediately and contact a professional after-sales service person;do not carry out repairs yourself as incorrect repairs may endanger your personal safety or lead to property damage.

II.Product features

- ◆ Immediate heating, hot water without waiting.
- ◆ Stepless temperature adjustment: micro adjustment, precise control, the temperature "degree" as you wish.
- ◆ Multiple protection functions such as over-temperature protection, leakage protection.
- ◆ Microcomputer intelligent system, automatically check and control the working status of the water heater, LED digital display, clear working status. The latest generation of cast aluminium heating technology. Innovative technology: full thermostat, leading you into the era of fully automatic enjoyment.
- ◆ Ultra-thin, cool and stylish, extraordinary.

Safety features

- ◆ Deep anti-leakages system

First protection: circuit breaker.

Second protection: earth protection.

Third protection: electronic leakage protection.

Leakage protection, earth protection and air switches make up the depth of the water heater's leakage protection system. They are interdependent and alternate in a vertical network, forming a line of defence in the deep anti-leakage system, which is a strong shield for your safety in using electricity.

- ◆ Automatic detection system

The automatic detection system includes a fault self-test for the water outlet temperature sensor, a fault self-test for the water inlet temperature sensor, a leakage self-test and an over-zero self-test, which will stop the water heater immediately when a fault occurs and display the corresponding fault code on the LED screen for indication. Please refer to the "Common faults" section for the content of the fault code display and fault handling.

- ◆ Over-temperature protection-self-test system

The water heater uses a double over-temperature protection device to monitor the water temperature vertically. When the water temperature is detected to exceed the thermal safety value, the water heater will stop working immediately.

- ◆ Dry heating protection

The water heater adopts a double pole disconnect thermostat, when the water heater malfunction causes the temperature to exceed the limit temperature, the high temperature limit switch immediately disconnects, cutting off the power supply and the water heater stops heating.

III. Technical Parameters

Power (W)	Rated Voltage Frequency	Recommended Wire Size	Min. Required Circuit Breaker Size	Rated Pressure
3500	230V~ 50Hz	2.5mm ²	≥ 30AMP	0.6MPa
4500				
5500				
6500		4mm ²		

IV. Controls



1. Meaning of display symbols and characters:

- 1.1. "⏻": Decrease the setting temperature
- 1.2. "⏮": Increase the setting temperature
- 1.3. "88": Display of water temperature, set temperature and fault code;

2. First power-on status: All characters light up for 2 seconds and then go out. The digital tube displays "--" to indicate the standby state.

V. Installation instructions

Unpacking

- ◆ After unpacking the box, please check immediately if the packing pieces are complete, see the packing list for a detailed list.
- ◆ If any of the items in the packing list are damaged or missing, please inform the seller immediately.

Warm tip: After taking out the product, please save the carton and bubble bag for future handling.

Installation method

Please note: The water heater must be installed by our own or appointed installers. The accessories supplied with the product must be used for installation and must not be replaced or substituted. The company will not be held responsible for any direct or indirect damage caused by non-compliance with the above.

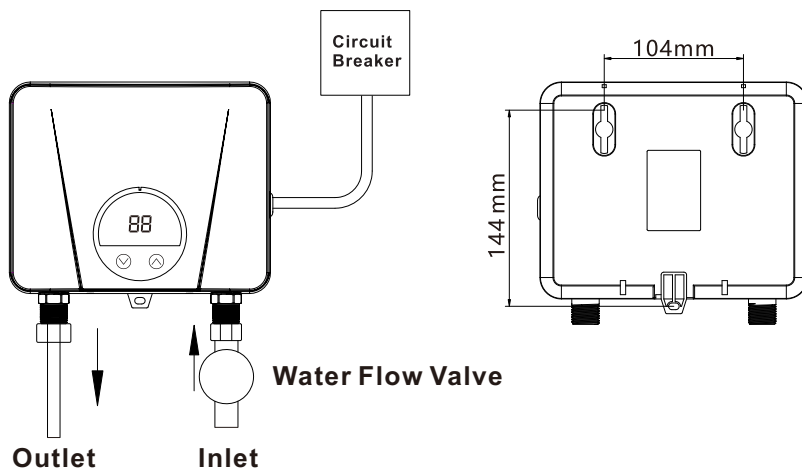
Before installation, please make sure that

1. the load-bearing wall on which the water heater is hung should be able to support twice the weight of a water heater filled with water.
2. The electric water heater should be installed indoors in a place where the ambient temperature is above 0°C and the pipework should be centrally located. The water heater outlet should not be too far from the point of use of hot water, if more than 3 metres, the hot water pipeline should be insulated to reduce the loss of heat.
3. The water heater should be installed in a location that is easy to use, maintain and has a floor drain. In the event of a leak, no damage will be caused to nearby or lower level facilities.
4. Ensure that the mains water pressure is not less than 0.05MPa.

5. A circuit breaker with earth leakage protection must be installed.
6. Ensure that the earth resistance of the building ground is less than 4Ω .
7. Check that the mounting plate on the back of the water heater is secure and not loose.
8. The circuit breaker of the water heater must be installed in a dry place where water cannot be sprayed to avoid accidents such as short circuit.
9. Do not reverse the inlet and outlet pipes.

Installation steps

1. Determine the installation position of the water heater. Mark the positions of two mounting holes and one fixing screw for the water heater in sequence with a pen. Drill holes at the marked screw holes on the wall using a hammer drill (with a drill bit of 6mm), insert rubber particles into the holes, and insert two screws into the mounting holes using a screwdriver.
2. Fixed water heater. Determine the location of the water heater body on the wall and ensure that the water heater is securely installed. Then, use a screwdriver to screw one screw into the fixing screw hole to secure the water heater.
3. Connect the power cable.
4. Directly connect the Live wire (Brown), Neutral wire (Blue) and ground wire (Green) of the power cord to the live wire, neutral wire and ground terminal of the air switch.
5. According to the installation position, determine the length of the bellows, use the bellows to connect the water inlet of the water heater to the water inlet valve, and connect the water outlet to the hose. If there is multiple water supply, connect the water outlet of the water heater to the Angle valve of the multiple water supply with another bellows.
6. Sealing check: First open the water valve of the water heater, and then open the water inlet valve, until the water outlet has uniform water flow out, then close the water valve, check whether the water is leaking. If there is water leakage, it is necessary to repair the leaking joint and check it again.



VI. Method of use

Before connecting to the power supply, users are advised that

- ◆ Please keep good usage habits: when turning on the water, first turn on the water and then turn on the electricity; when turning off the water, first turn off the electricity and then turn off the water.
- ◆ Ensure that the water heater is reliably grounded. The grounding protection of the water heater is achieved by connecting it to the grounding wire of the building, so make sure that the power cord and the grounding wire are firmly connected; and that they are connected in a place where water cannot be sprayed.
- ◆ Hot water can cause burns, so for the safety of you and your family, especially the elderly and children, please use it with care.
- ◆ The hot water in the water heater should not be used directly for drinking.

Operating instructions

Open water source and allow water to run through the water heater for at least 2 minutes to 3 minutes. This will purge the air out of the unit and must be performed prior to turning on the power of the unit. Failure to Do So will Cause Serious Damage to Heating Elements.

1. Open the water faucet for 3 minutes until the water flow is continuous and all the air has been purged from the water pipes.
2. Turn on the circuit breaker to supply electrical power to the unit.
3. After the digital screen is lighted up for 2 seconds, " -- " prompts the user is powered on and the water heater enters standby state.
4. When the power is on, the water heater is in standby state. When the water flow reaches the minimum water flow, the water heater starts heating water and the screen lights all the time. If the water flow is too small or the water heater doesn't detect the water flow, the water heater won't heat the water and the screen will enter screen saver state after 30 seconds.
5. Press the "⊕/⊖" key to adjust the set temperature. When pressing the "⊕/⊖" key, the screen will light up the current set temperature. Press the "⊕/⊖" key again (the set temperature will increase or decrease automatically if you press and hold it continuously), and the temperature will increase/decrease by 1 degree (the setting range is 30-55 °C).

If the unit has been paused, you may initially get a short burst of very hot water when you turn it on again. Please run the water through for a few seconds to let the temperature settle down. Please check the hot water with your hand before taking a shower.

VII. Notes on use

1. When you stop using the water heater, please turn off the water inlet switch; long-term non-use of the water heater, the power supply should be cut off, so as to protect the water heater and extend its service life.
2. Regularly clean the shower, filter and pressure relief port to avoid blockage.
3. Do not spray water onto the circuit breaker or water heater when in use to avoid moisture on the electrical parts, the circuit breaker or electrical connection should be installed in a place that is not exposed to water and out of reach of children.
4. Do not use acidic or alkaline cleaning solution to scrub the shell of the electric water heater, scrubbing should choose a neutral detergent, after wiping to gently dry with a wet rag, clean to close the incoming power supply.

- 5.If you suspect that the water in the water heater may freeze,it is prohibited to connect the water heater to the power supply.
- 6.Repair must be carried out by our maintenance staff or by our designated repair point.
- 7.If the power cord is damaged and must be replaced,the Company or the Company's designated maintenance personnel must be responsible.
- 8.A disconnecting device must be installed in the fixed line when connecting the external conductor,which ensures safety by opening all contacts at least 3mm apart when the power is off.
- 9.In order to avoid the danger of the thermal circuit breaker being reset by mistake,the appliance must not be powered by an external switching device,such as a timer or a circuit that is disconnected when connected to a common component.
- 10.To improve the comfort of use,use the accessories supplied with the appliance.

VIII.Repair and maintenance

Affirm:The water heater should only be serviced and maintained by qualified service personnel of the Company.Incorrect methods may cause serious injury or property damage. Before servicing the product,please refer to common faults and troubleshoot obvious problems.

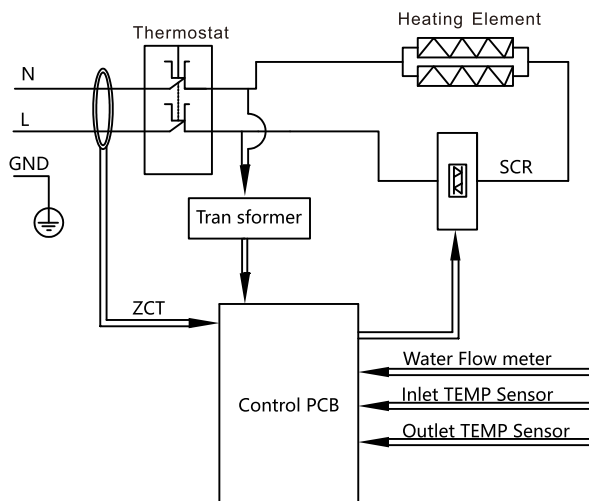
Warning:Always disconnect the water heater from the power supply before opening or servicing the water heater.

Clean the outside of the water heater regularly using a slightly damp soft cloth dampened with an appropriate amount of neutral detergent to wipe the surface,do not use flammable or chemical solvents,then dry with a dry soft cloth to keep the water heater dry.

If you encounter the following situations,please disconnect the power immediately and call the service hotline for help.

- a.The power cord is damaged
- b.The product has been dropped or the casing has been damaged
- c.The product does not work properly
- d.The performance of the product has changed significantly

IX.Electrical schematics



X.Common faults

Issue	Possible Reason	Solution
Water heater is not heating at all (water is flowing but the unit is not heating - the outgoing water temperature is the same as the cold water supply) - the digital display does NOT light up.	No power or incorrect wiring.	Make sure the breakers at main electrical panel are ON. You may have a faulty breaker or unit may be wired incorrectly.
	The screen is damaged, or the screen connection is poor.	Replace the screen or reconnect the wire.
Water heater is heating, but the water temperature is not hot enough.	User temperature setting too low.	Turn up the temperature setting on the unit.
	Flow rate is too high.	Depending on your incoming water temperature and the power output of your model, your water flow rate may exceed the physical heating capacity of your water heater. Turn down the water flow.
	Voltage less than 230 volts.	The set voltage of the water heater is 230. When the voltage used is lower than 230, the water heater will generate less heating power. It would require a larger power model. (when the voltage cannot be changed).
	Mixing too much cold water.	You do not need to mix as much cold water with your tankless water heater compared to when you use a conventional water heater. You may also have an anti-scald feature on your faucet that is mixing cold water. These types of faucets can usually be adjusted to reduce the amount of cold water mixed.
Leakage in the joint of inlet and outlet pipe.	Poor connection of inlet and outlet pipe.	Reconnect the pipe.
	The rubber washer is damaged.	Replace the washer
The water pressure is less and less.	The inlet filter or shower is blocked by water impurities.	Remove the inlet pipe, clean the inlet filter/shower.
Water temperature is unstable.	The voltage or water pressure is unstable.	The voltage water pressure is back to normal.

MALFUNCTION CODE

Display Error Code	Failure Analysis	Solution
L0	Electric Leakage	Call after-sales service
HE	Over temperature	A. Select lower power or lower setting temperature B. Increase the water flow
E1	Outlet temperature sensor failure	Call after-sales service
E5	Zero-crossing detection failure	A. Replace the main board B. Check whether the grid voltage meets the requirements or confirm for high power equipment interference

XI.Product packing list

Number	Product Name	Unit	Quantity
1	The water heater	pc	1
2	Mounting Screws	set	1
3	Instruction manual	pc	1
4	Water Flow Valve	pc	1

XII.After-sales service

-This product is guaranteed for one year(subject to the date of purchase)and is free of charge for repair during the warranty period,upon presentation of the proof of purchase to the authorized maintenance department.

-The decoration of this product is subject to change without notice.

-The product is not warranted but may be repaired for a fee in any of the following cases.

- a) if the damage is caused by improper use,maintenance or storage;
- b) if the product is not repaired or disassembled by our designated service department
- c) without proof of purchase or a valid purchase invoice.
- d) if the product does not conform to the proof of purchase or is altered
- e) damage caused by force majeure.
- f) where the warranty period has expired.

-The domestic water heater must not be used for on-domestic purposes, otherwise the warranty period for the whole unit and major accessories is six months,unless otherwise specified in the purchase and sale contract.

-The service life of the water heater is subject to the relevant national regulations and will not be warranted beyond its service life.

Product warranty

Warranty Card

Name		Telephone	
E-mail			
Product Model		Purchase Date	Installation Date
Serial NO.		Installation Location	
Charge or not	<input type="checkbox"/> Yes <input type="checkbox"/> No Reason:		
120V/240V or not		Water leaking or not	Exposed to freezing temp or not
Instllation Personnal (signature)		Customer (signature)	
Maintenance Date		Maintenance Personnel (signature)	
Situation			
Replacement Of Parts			